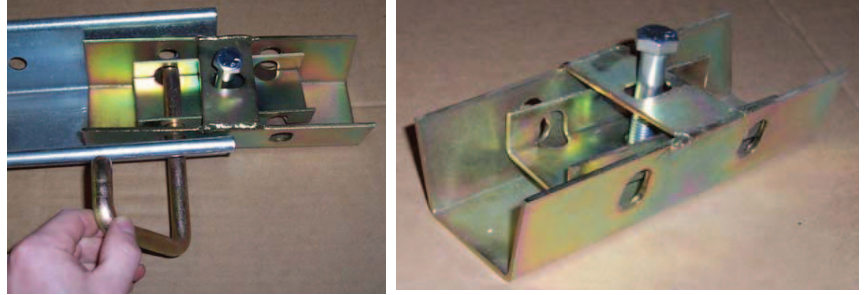


## EXTENSION KIT BRT10R - ASSEMBLY STEPS

### Step 1

Put the extension bracket inside the box channel and slide a 1/2" (12 mm) gravity pin inside the first hole in the box channel starting from the end and through the extension bracket slots.



### Step 2

Align the second box channel with the first one and slide a 1/2" (12 mm) gravity pin through the box channel hole and extension bracket slot.

Tighten the 1/2" (12mm) bolt with a 3/4" (19 mm) wrench or ratchet until the "V-shaped" bracket stand flat and firm on the bottom of the two box channels. Then tighten the bolt with another half turn.

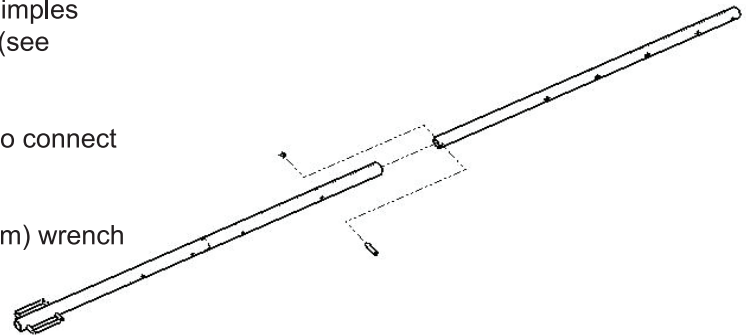


### Step 3

Insert the small extension tube [1 3/4" (44 mm) x 60" (1524 mm)] inside the long extension tube [2" (50 mm) x 72" (1829 mm)]. The dimples should not be inside the 2" (50 mm) OD tube once installed. (see picture).

Use a 3/8" (9 mm) x 2 3/4" (70 mm) bolt & lock nut supplied to connect the tubes together.

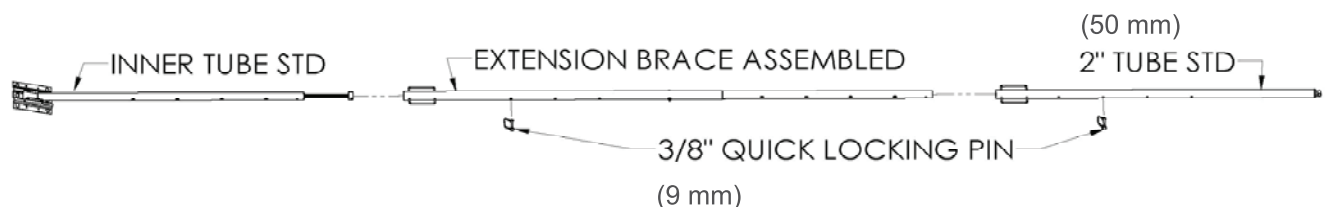
Use a ratchet with a 9/16" (14 mm) socket and a 9/16" (14 mm) wrench to tight the bolt and lock nut.



### Step 4

Take a standard 10' (.25 m) turnbuckle brace, remove the 3/8" (9 mm) D shaped locking pin and slide out the inner tube.

Insert the extension tube assembly between the standard inner tube and 2" (50 mm) OD standard tube as shown in picture below. Fix the tubes together with two 3/8" (9 mm) D shaped locking pins.



## EXTENSION KIT BRT10R - ASSEMBLY STEPS

## Step 5

Fix the two turnbuckle bracing poles to the foot pad with two 3/8" (9 mm) x 3/4" (19 mm) bolts and lock nuts supplied as shown in the picture at the bottom of the page.

Adjust the turnbuckle bracing poles to the right length by changing the 3/8" (9 mm) quick locking pin position. The turnbuckle bracing poles angle and position must not exceed the values specified in the picture below.

Fix the bracing poles to the channel with 1/2" (12 mm) gravity pins.

Use the four anchor pins (18" long/457 mm) to secure the foot pad to the ground.

